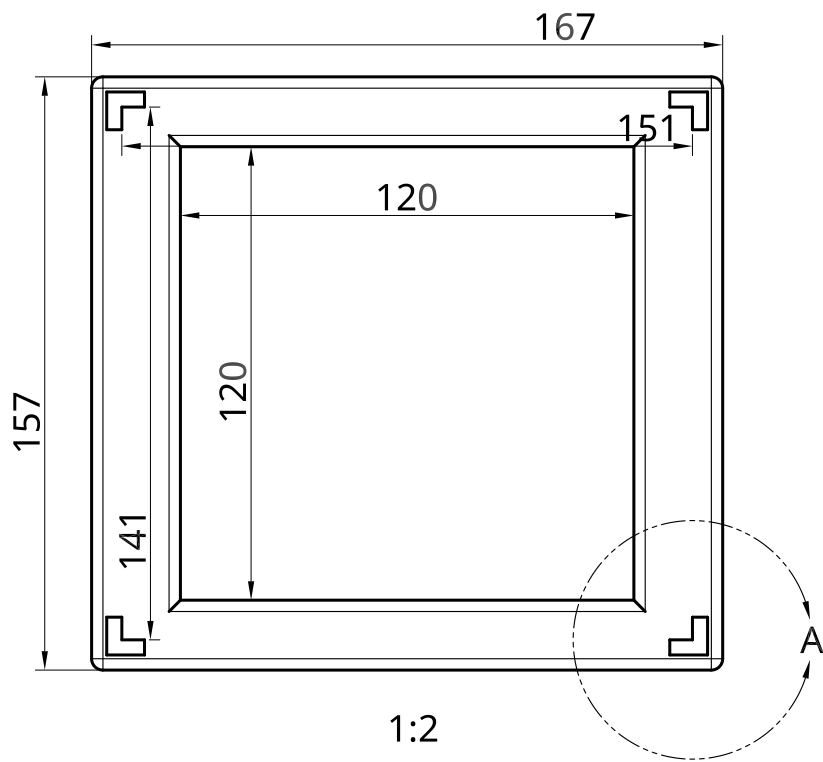
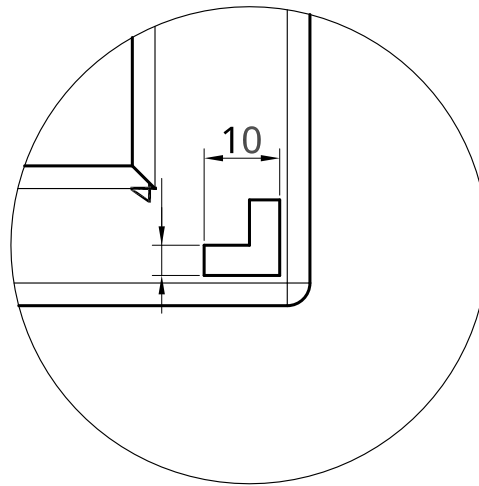


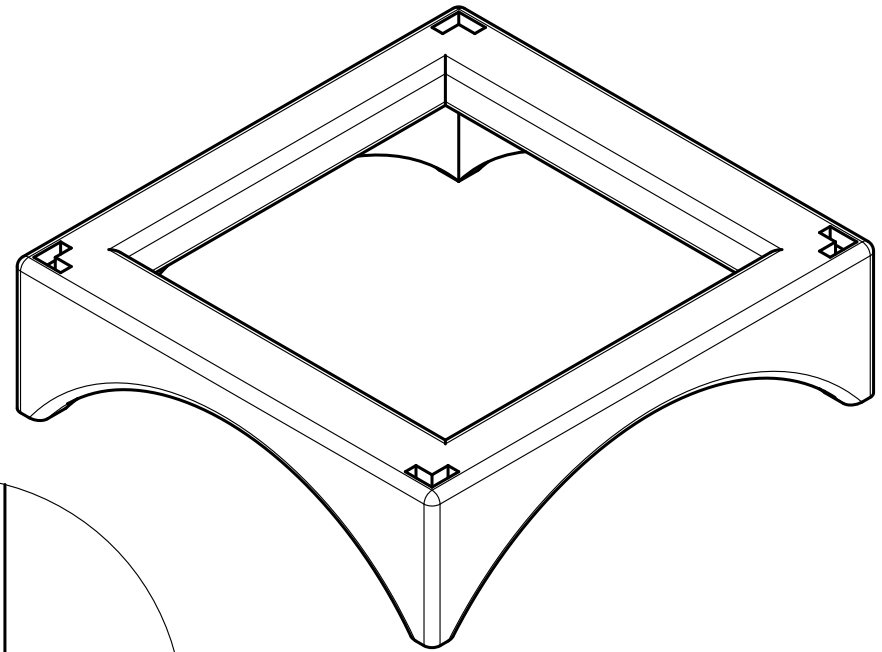
1:2



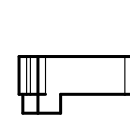
1:2



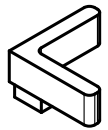
A  
1:1



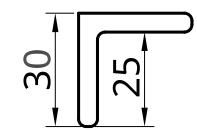
1:2



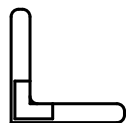
1:2



1:2



1:2



1:2

UNLESS OTHERWISE SPECIFIED, DIMENSIONS ARE IN MILLIMETERS ANGULAR = ±° SURFACE FINISH DO NOT SCALE DRAWING BREAK ALL SHARP EDGES AND REMOVE BURRS FIRST ANGLE PROJECTION 	DRAWN	MARTIN BROCKELMANN		2018-08-28	0,35mm Schichtdicke ATX-Netzteil-Halterung
	CHECKED	HARALD SCHMID		2018-08-28	
	APPROVED	MARCO REICHEL		2018-08-28	
	MATERIAL	ABS		FINISH	
	SIZE	A4	DWG NO.	01	REV. -
	SCALE	1:2 / 1:1	WEIGHT	117g	SHEET 1 of 1